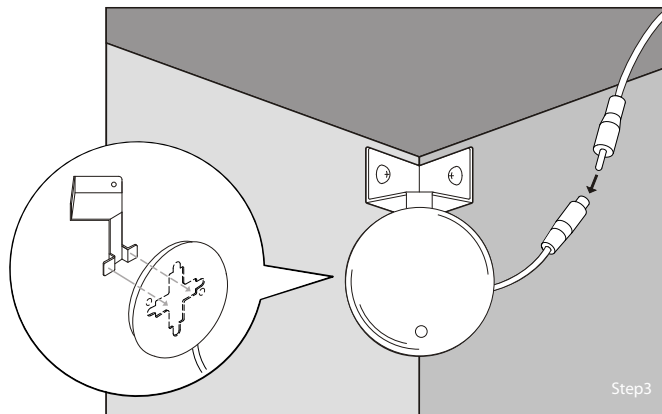
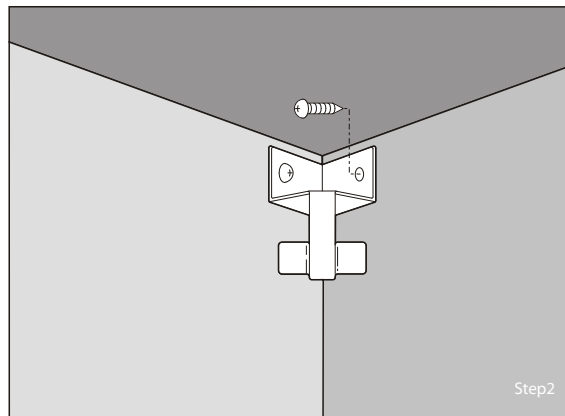
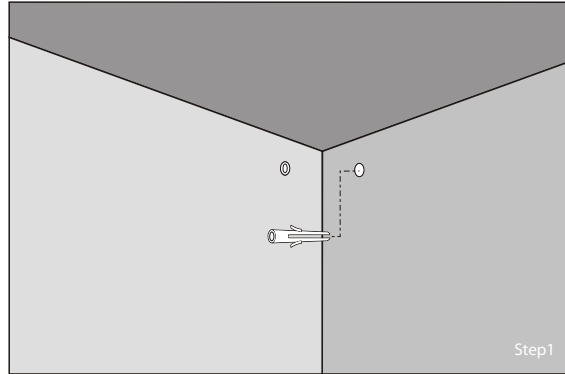
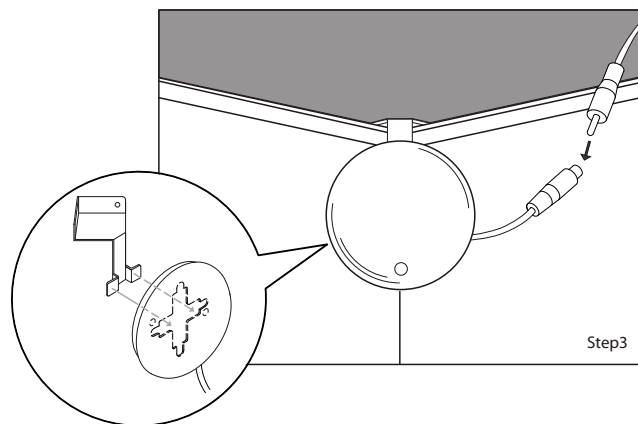
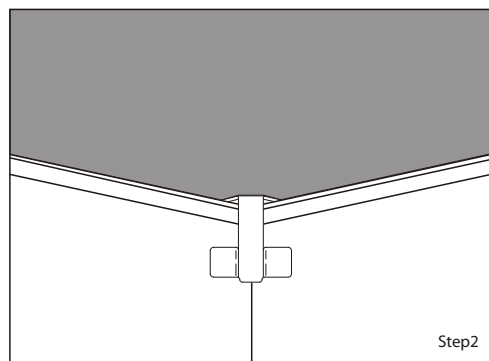
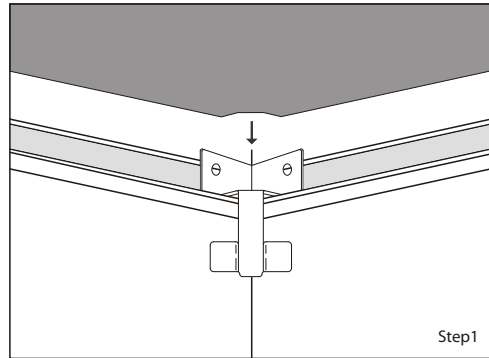


Corner Bracket ( install on the wall corner )



Be sure that LED is oriented either at 12 o'clock or 6 o'clock (top or bottom) and sensor cable oriented at 3 o'clock or 9 o'clock.

## Corner Bracket (install on the T-Bar)



Be sure that LED is oriented either at 12 o'clock or 6 o'clock (top or bottom) and sensor cable oriented at 3 o'clock or 9 o'clock.