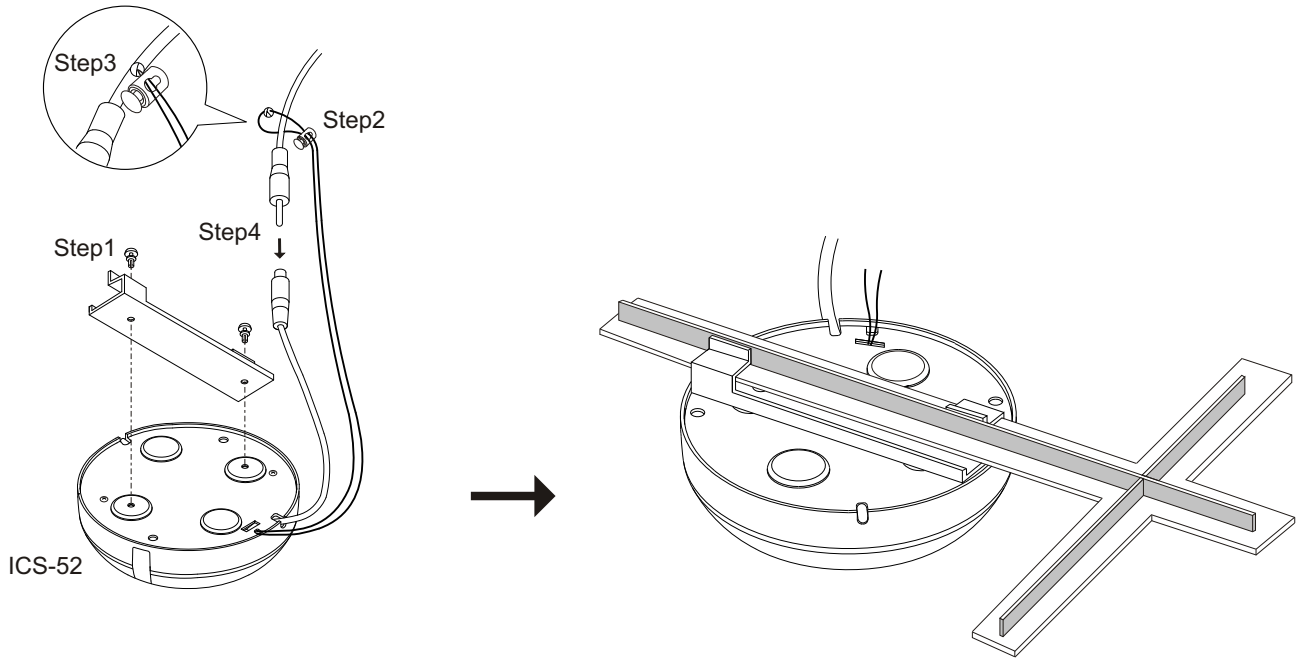


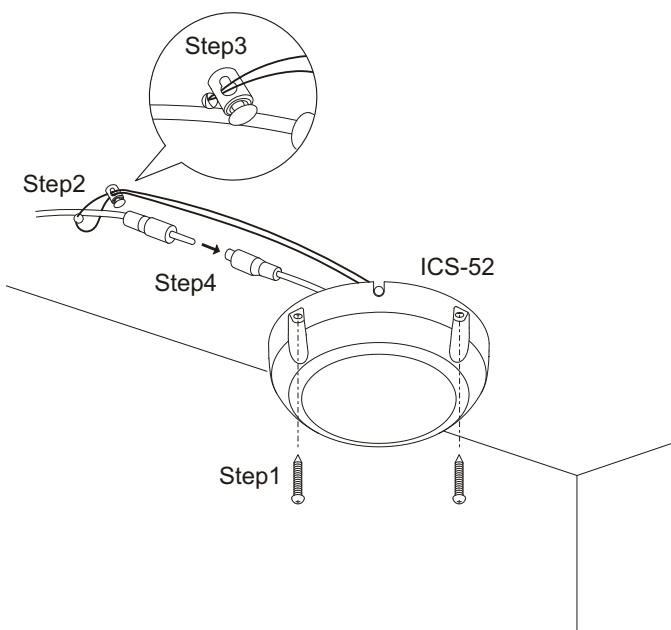
# INSTALLING THE INFRARED SENSOR

## Attaching the infrared ceiling sensor

Installation 1 ----- Attach to T-bar Rail



Installation 2 ----- Attach to wood surface



Installation 3 ----- Attach to concrete surface

